

RAINHOOD KIT

BUL86012

REV. A

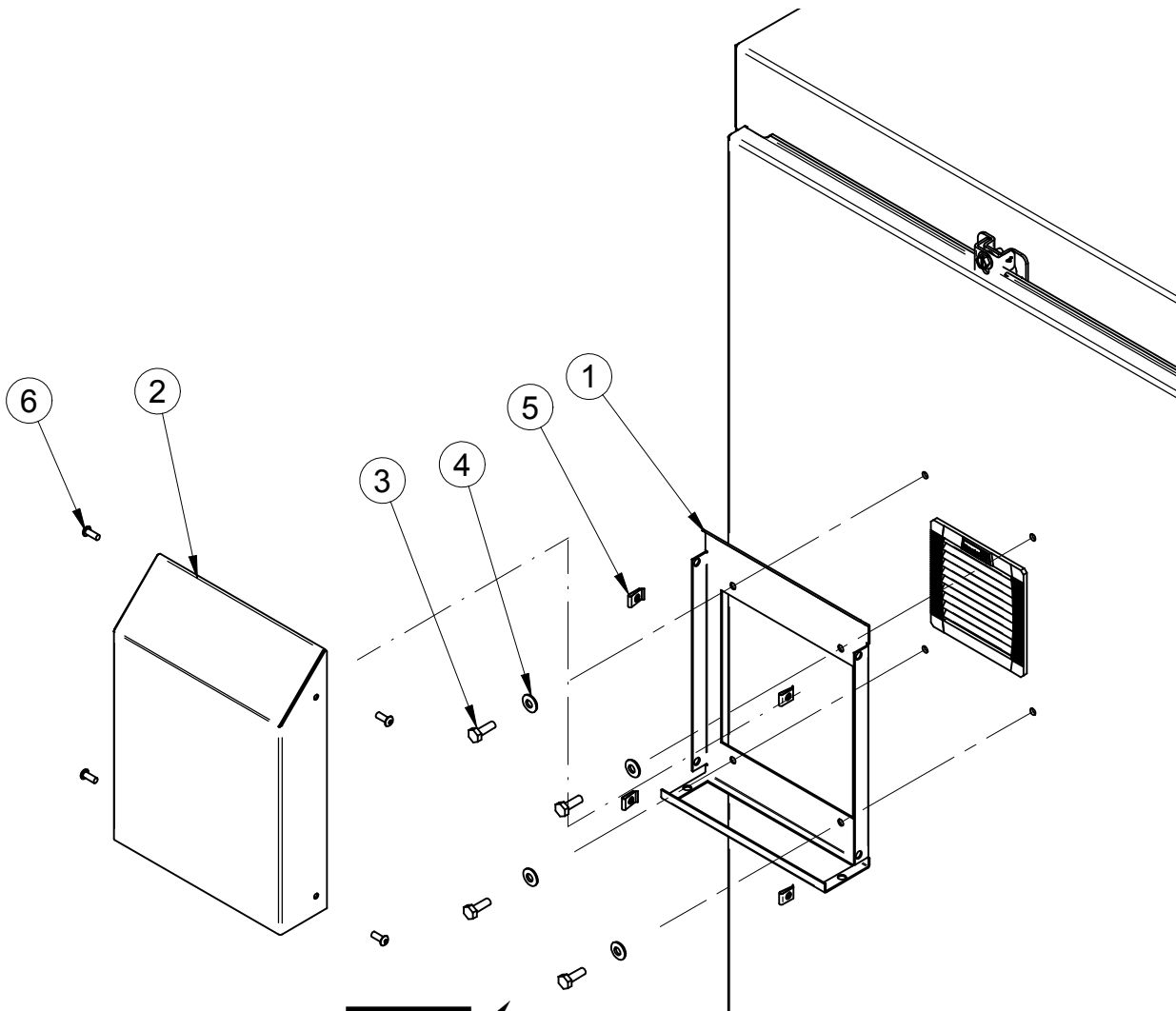
A) MARK AND DRILL HOLES TO DIMENSIONS SHOWN IN DRILL
DETAIL. (PAGE 2)

B) MOUNT INNER BASE PLATE (ITEM 1) USING SCREWS (ITEM 3),
WASHERS (ITEM 4), AND NUTS (ITEM 7) SUPPLIED.

C) SLIP CLP NUTS (ITEM 5) ON TO BOLT HOLES IN FLANGES.

D) MOUNT OUTER COVER (ITEM 2) ON BASE PLATE USING SCREWS
(ITEM 6) PROVIDED.

PART #	QTY.	DESCRIPTION
1	1	BASE
2	1	COVER
3	4	BASE SCREW
4	4	WASHER
5	4	CLIP NUT
6	4	COVER SCREW
7	4	BASE NUT



Pfannenber
ELECTRO-TECHNOLOGY FOR INDUSTRY



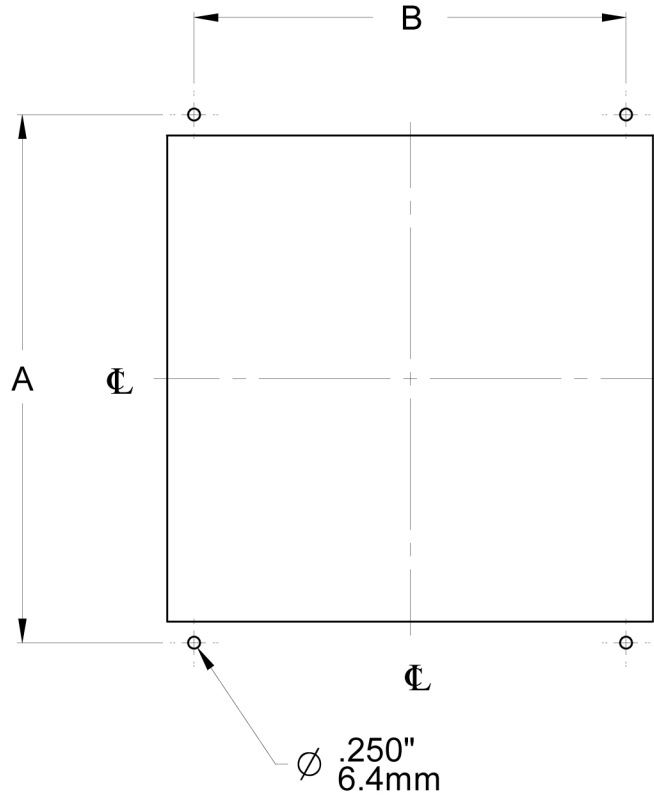
<p>TOOL BOX</p>	<p>1/8" ALLEN KEY</p>	<p>Centre Punch</p>	<p>Drill, use DIA .250"</p>	<p>7/16" Socket Wrench</p>	<p>7/16" Open End Wrench</p>	<p>Tape Measure</p>
-----------------	-----------------------	-------------------------	---------------------------------	--------------------------------	----------------------------------	-------------------------

RAINHOOD KIT

BUL86012

REV. A

HOLE PATTERN



MODELS	A	B
PFRH20000GY, PFRH20000LG, PFRH20000SS	7.000	5.000
PFRH40000GY, PFRH40000LG, PFRH40000SS	11.000	9.000
PFRH60000GY, PFRH60000LG, PFRH60000SS	13.875	12.000

TOOL BOX



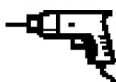
1/8" ALLEN KEY



Centre
Punch



Drill, use
DIA .250"



7/16"
Socket Wrench



7/16" Open
End Wrench



Tape
Measure

